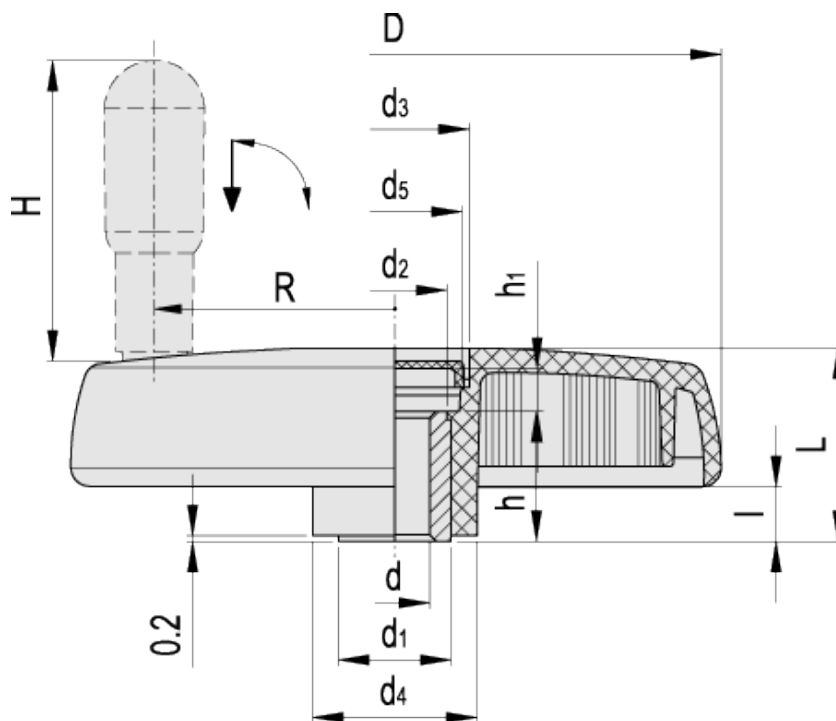


VDS+IRS

Solid handwheels with safety fold-away handle



ELESA Original design



technical informations

Material

High-resilience polypropylene based (PP) technopolymer. Resistant to solvents, oils, greases and other chemical agents.

Colour

Black, matte finish.

Boss cap

Acetal resin based (POM) technopolymer, light-grey colour, push-fit assembly, removable by pressing on the outer edge

(ELESA original design).

Standard execution

- VDS+IRS: safety fold-away handle type [IRS.820](#) in polyamide based (PA) technopolymer, black colour, matte finish with "Fold-O-Matic"® automatically fold-away safety device.
Black-oxide steel boss, H7 reamed hole.
- VDS+IRS-SST: safety fold-away handle type [IRS.820-SST](#) in polyamide based (PA) technopolymer, black colour, matte finish with "Fold-O-Matic"® automatically fold-away safety device.
AISI 304 stainless steel boss, H7 reamed hole.

Special executions on request

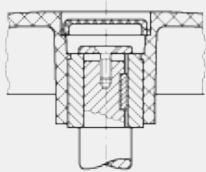
Bosses with hole and keyway in compliance with [DIN 6885/1 P9 tolerance](#).
To order the handwheel with keyway complete code and description with the index -K (i.e. 72771-R-K VDS.150+IRS A-14-K).

Accessories on request

Axial retaining washer type [GN 184](#).
VDS.150 and VDS.175 are available also with technopolymer boss caps in one of the Ergostyle colours (see table), to be ordered separately.

Ergonomy

The rim with internal rear scallops makes the grip and the manoeuvre of the handwheel easier.



Assembly example
with keyway and axial set screw

Standard Elements		Main dimensions									Bore		Handle		C #	L #	Weight
Code	Description	D	L	I	d ₁	d ₂	d ₃	d ₄	d ₅	h ₁	d _{H7}	h	H	R	[Nm]	[J]	g
72770-R	VDS.150+IRS A-8	150	44	12	26	24	34	38	30	10	8	30	65	58	180	15	455
72771-R	VDS.150+IRS A-14	150	44	12	26	24	34	38	30	10	14	30	65	58	180	15	445
72772-R	VDS.150+IRS A-16	150	44	12	26	24	34	38	30	10	16	30	65	58	180	15	435
72820-R	VDS.175+IRS A-8	176	49	13	35	33	39	44	35	16	8	28	80	70	195	20	590
72821-R	VDS.175+IRS A-16	176	49	13	35	33	39	44	35	16	16	28	80	70	195	20	580
72822-R	VDS.175+IRS A-20	176	49	13	35	33	39	44	35	16	20	28	80	70	195	20	570
72870-R	VDS.200+IRS A-8	200	53	14	40	38	44	50	40	13	8	36	90	81	320	27	770
72871-R	VDS.200+IRS A-20	200	53	14	40	38	44	50	40	13	20	36	90	81	320	27	730
72872-R	VDS.200+IRS A-24	200	53	14	40	38	44	50	40	13	24	36	90	81	320	27	690
72931-R	VDS.250+IRS A-20	250	60	17	40	38	50	57	48	19	20	36	90	104	500	30	955
72981-R	VDS.300+IRS A-20	300	66	20	40	36.5	68.5	72	66	20	20	44	90	124	500	30	1285

See [Technical Data](#) for maximum applicable torque (C) and impact strength (L).

Standard Elements		Main dimensions									Bore		Handle		C #	L #	Weight
Code	Description	D	L	I	d ₁	d ₂	d ₃	d ₄	d ₅	h ₁	d _{H7}	h	H	R	[Nm]	[J]	g
72775-R	VDS.150+IRS-SST-14	150	44	12	26	24	34	38	30	10	14	30	65	58	180	15	450
72875-R	VDS.200+IRS-SST-20	200	53	14	40	38	44	50	40	13	20	36	90	81	320	27	737

See [Technical Data](#) for maximum applicable torque (C) and impact strength (L).



Code	Description	Boss cap for
29583-*	ECB.D3-*	VDS.150
29584-*	ECB.D4-*	VDS.175

* Complete with colour index (C1,.....,C6).

This product had the following design awards:



ELESA and GANTER models all rights reserved in accordance with the law. Always mention the source when reproducing our drawings.

STANDARD MACHINE ELEMENTS WORLDWIDE